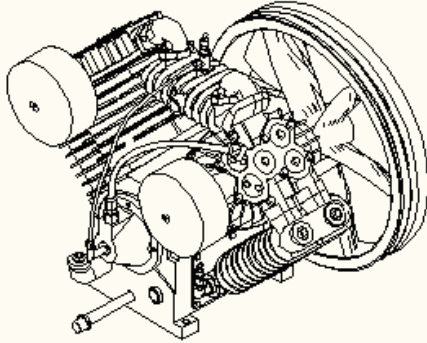
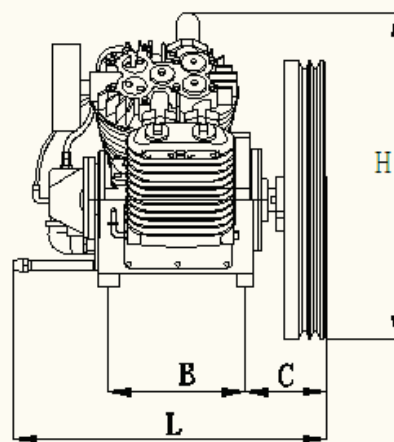
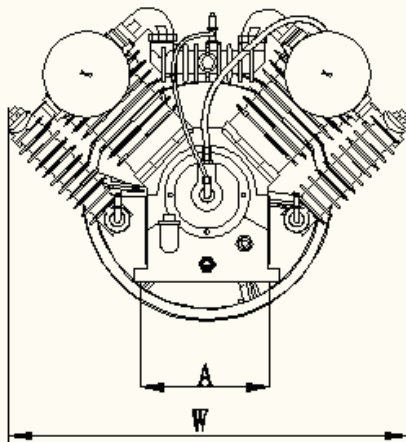


1312202700 / 1312 2027 00 / 1312-2027-00



CA2 Technical Data		
Motor	HP	10
	KW	7.5
Air Delivered	ACFM	28.25
	m /min	0.8
Pressure	PSI	180
	Bar	12.5
RPM	730	
Cylinders	4	
LP Bore	inch	4.134
	mm	105
HP Bore	inch	2.165
	mm	55
Stroke	inch	3.504
	mm	89
Flywheel Dia.	inch	18.98
	mm	482
Groove Type	B	

Dimensions		
A	inch	9.63
	mm	244.5
B	inch	9.13
	mm	231.8
C	inch	5
	mm	127.2
L	inch	21.06
	mm	535
W	inch	28.74
	mm	730
H	inch	22.44
	mm	570
Weight	lb	250.36
	kg	113.5
QTY/20' GP Container	PCS	84
QTY/40' GP Container	PCS	168



*MODEL CA2 Two Stage Air Compressor Pump*