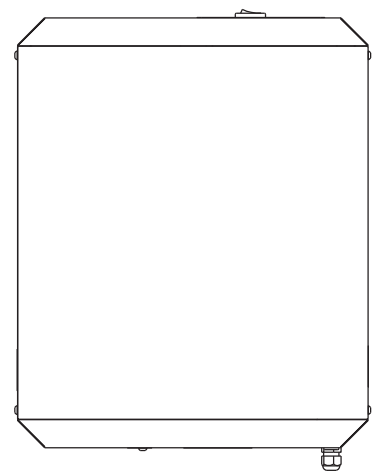
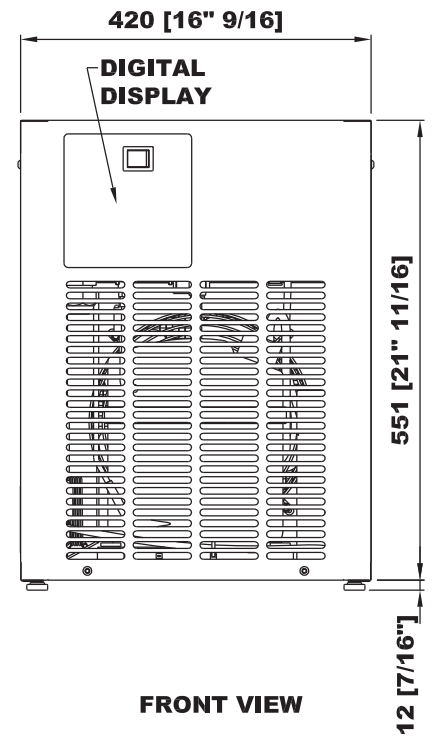
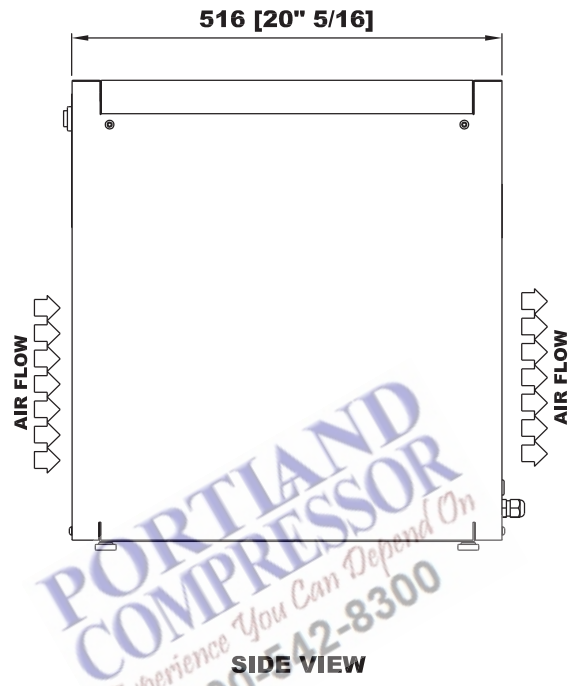
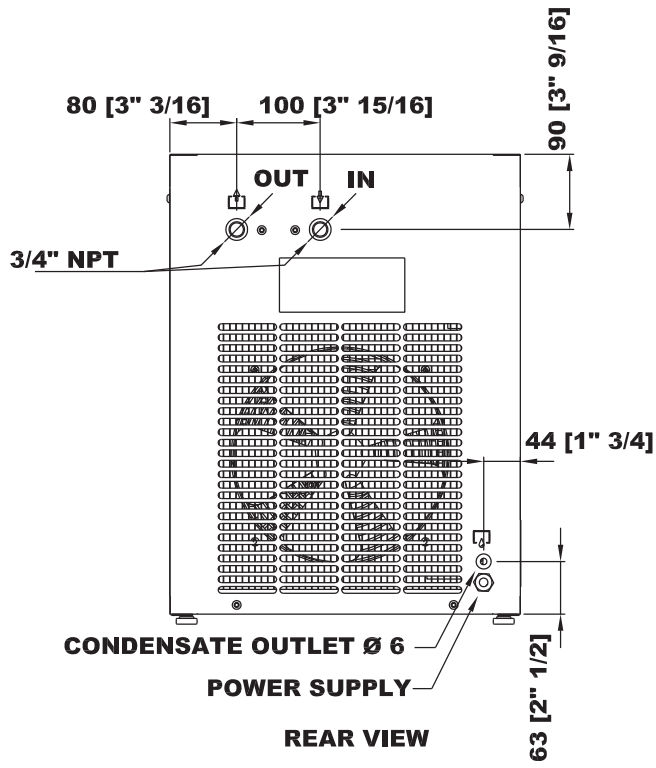


8 7 6 5 4 3 2 1

REVISIONS						
ZONE	REV	ECN	DESCRIPTION	DATE	DRAWN	APP'D



PORTLAND COMPRESSOR
Experience You Can Depend On
 800-542-8300

<small>AND OTHER APPLICABLE GOVERNMENT RESTRICTIONS OR REGULATIONS WARNING THE EXPORT OR REEXPORT OF THIS DRAWING OR A PRODUCT BY THIS DRAWING IS SUBJECT TO U.S. EXPORT ADMINISTRATION REGULATIONS.</small>		<small>PRODUCED DO NOT SCALE DRAWING</small>															
<small>THIS DRAWING CONTAINS CONFIDENTIAL AND TRADE SECRET INFORMATION, IS THE PROPERTY OF INGERSOLL-RAND CO. AND IS GIVEN TO THE RECEIVER IN CONFIDENCE. THE RECEIVER BY RECEPTION AND RETENTION OF THE DRAWING ACCEPTS THE DRAWING IN CONFIDENCE AND AGREES THAT, EXCEPT AS AUTHORIZED IN WRITING BY INGERSOLL-RAND CO. IT WILL (1) NOT USE THE DRAWING OR ANY COPY THEREOF OR THE CONFIDENTIAL OR TRADE SECRET INFORMATION THEREIN; (2) NOT COPY THE DRAWING; (3) NOT DISCLOSE TO OTHERS EITHER THE DRAWING OR THE CONFIDENTIAL OR TRADE SECRET INFORMATION THEREIN; AND (4) UPON COMPLETION OF THE NEED TO RETAIN THE DRAWING, OR UPON DEMAND, RETURN THE DRAWING, ALL COPIES THEREOF, AND ALL MATERIAL COPIED THEREFROM.</small>		<small>DRAWING CONFORMS TO ASME Y14.5M - 1994</small>		<table border="1"> <tr> <th colspan="2">THIRD ANGLE PROJECTION</th> <th>TITLE</th> </tr> <tr> <td>DRAWN</td> <td>DATE</td> <td rowspan="2">D108IN-180IN NPT DRAWING</td> </tr> <tr> <td>CHECKED</td> <td>DATE</td> </tr> <tr> <td>DESIGNED</td> <td>DATE</td> <td></td> </tr> </table>		THIRD ANGLE PROJECTION		TITLE	DRAWN	DATE	D108IN-180IN NPT DRAWING	CHECKED	DATE	DESIGNED	DATE		
THIRD ANGLE PROJECTION		TITLE															
DRAWN	DATE	D108IN-180IN NPT DRAWING															
CHECKED	DATE																
DESIGNED	DATE																
<small>UNLESS OTHERWISE SPECIFIED: - REMOVE ALL BURRS AND SHARP CORNERS - WELD SYMBOLS TO BE IN ACCORDANCE WITH ANSI/AWS A2.4</small>		<small>CAD GENERATED DRAWING, NO MANUAL REVISIONS ALLOWED</small>		<table border="1"> <tr> <td>SIZE</td> <td>ESTIMATED WEIGHT</td> <td>DWG NO.</td> <td>REV</td> </tr> <tr> <td>A3</td> <td>KG UNLESS OTHERWISE SPECIFIED</td> <td>719.0003.01.00</td> <td></td> </tr> <tr> <td>SCALE:</td> <td></td> <td></td> <td>SHEET</td> </tr> </table>		SIZE	ESTIMATED WEIGHT	DWG NO.	REV	A3	KG UNLESS OTHERWISE SPECIFIED	719.0003.01.00		SCALE:			SHEET
SIZE	ESTIMATED WEIGHT	DWG NO.	REV														
A3	KG UNLESS OTHERWISE SPECIFIED	719.0003.01.00															
SCALE:			SHEET														
<small>INGERSOLL-RAND INDUSTRIAL TECHNOLOGIES</small>		<small>INGERSOLL-RAND COMPANY ALL RIGHTS RESERVED</small>		<small>SCALE: SHEET</small>													

8 7 6 5 4 3 2 1