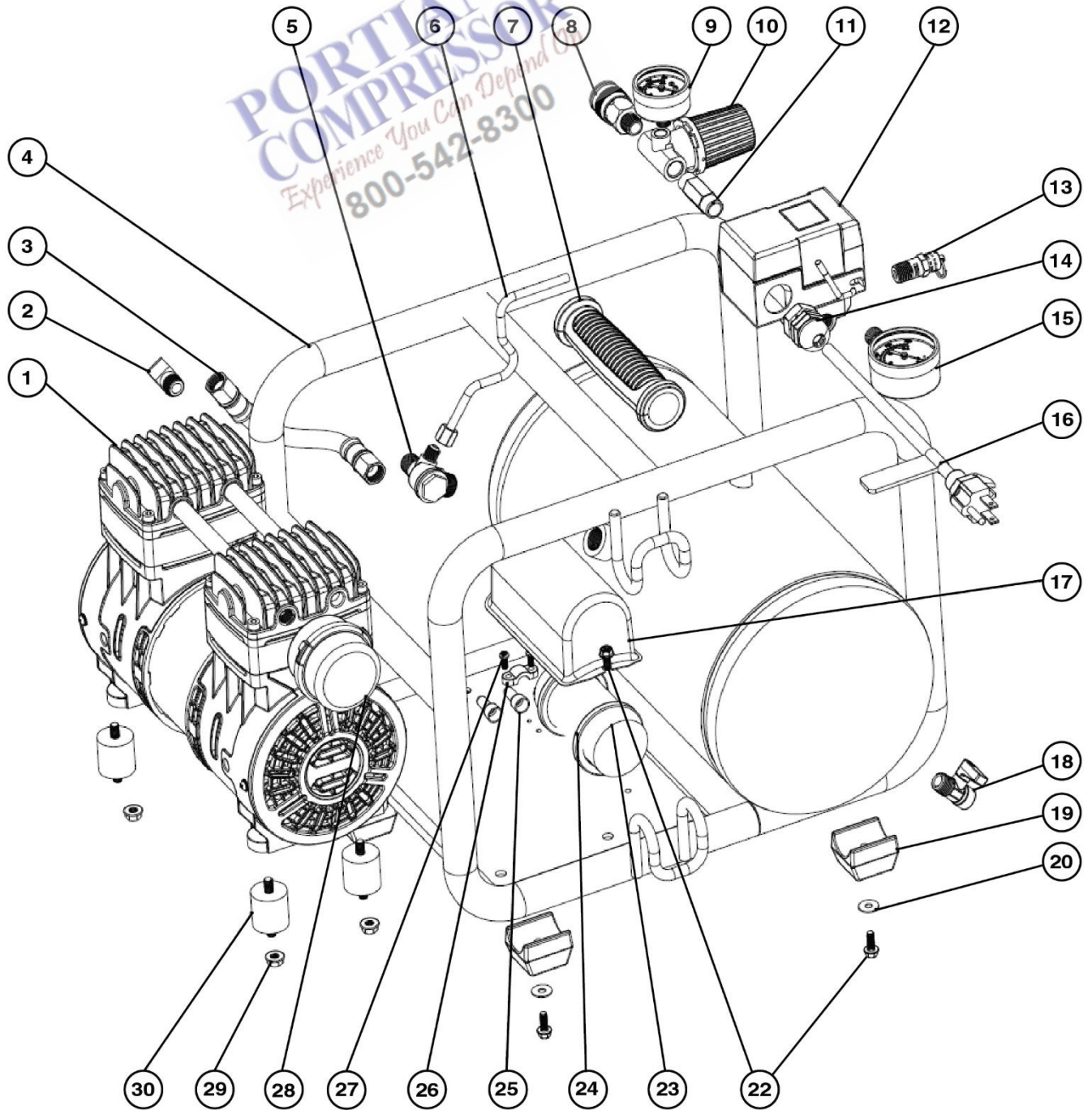
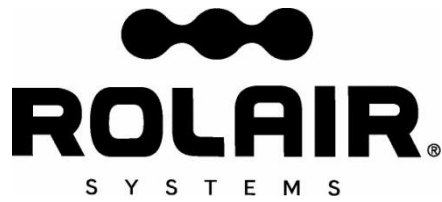




ROLAIR

SCHEMATIC FOR MODEL JC10PLUS





PARTS LIST FOR MODEL JC10PLUS

Schem #	Description	Part #	Qty.
1	Complete Motor/Pump Assembly	U1200	1
2	Brass Elbow	U1011	1
3	Braided Discharge Tube	U1012	1
4	Tank Assembly	JC10P4	1
5	Check Valve with #6 Unloader Line	JC10P33	1
6	Unloader Line Assembly*	NLA	1
7	Handle Grip	JC10P7	1
8	Quick Disconnect	U9001	1
9	Gauge-Line	U3001	1
10	Regulator	U3002	1
11	Nipple	U5003	1
12	Pressure Switch	U6005	1
13	Safety Relief Valve	U6004	1
14	Box Connector	JC10P14	1
15	Gauge-Tank	JC10P15	1
16	Cord with Plug	U5001	1
17	Cover – Capacitor	JC10P17	1
18	Drain Valve	U6002	1
19	Rubber Foot	JC10P19	4
20	Washer	JC10P20	4
22	Screw	JC10P22	6
23	Capacitor	JC10P23	1
24	Clamp Ring	JC10P24	2
25	Connector	JC10P25	2
26	Wire Clamp	JC10P26	2
27	Screw	JC10P27	2
28	Intake Filter	U4001	1
29	Nut	U5002	4
30	Vibration Dampers	U6003	4

*Order JC10P33. Not available separately.

**PORTLAND
COMPRESSOR**
Experience You Can Depend On
800-542-8300

