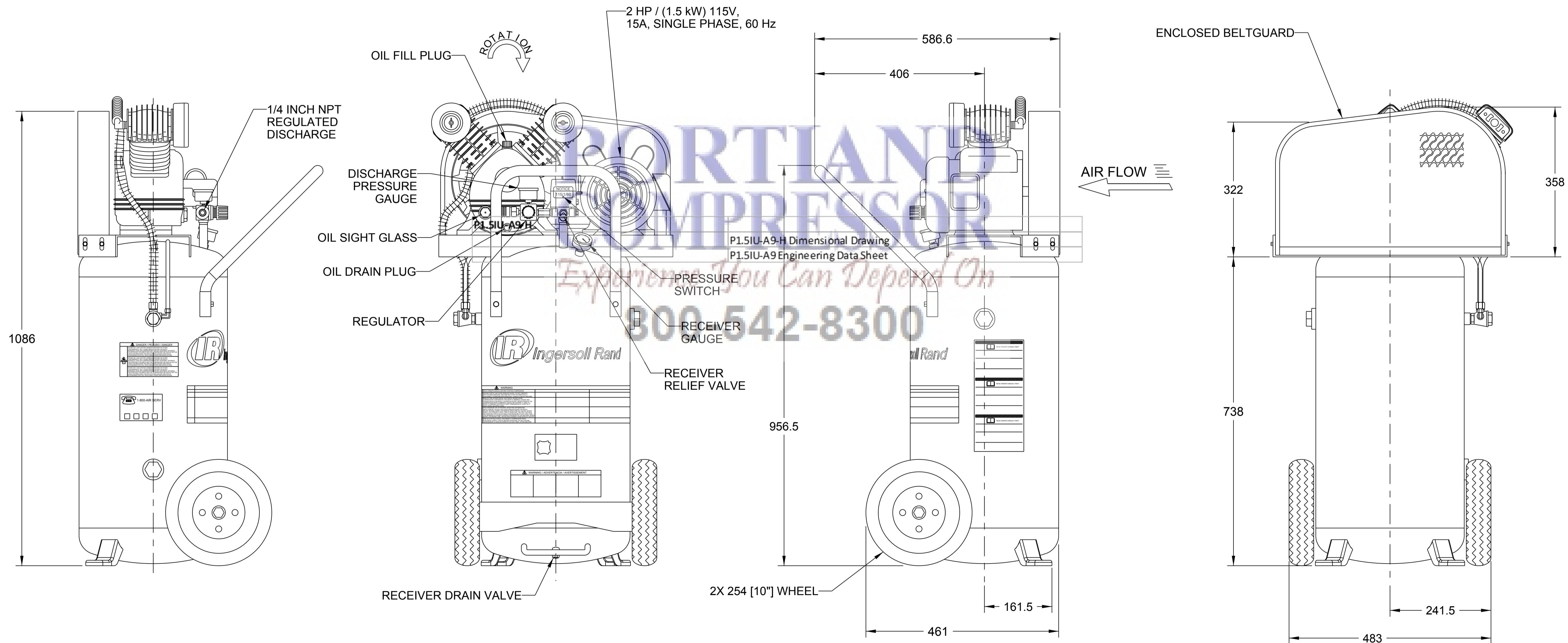
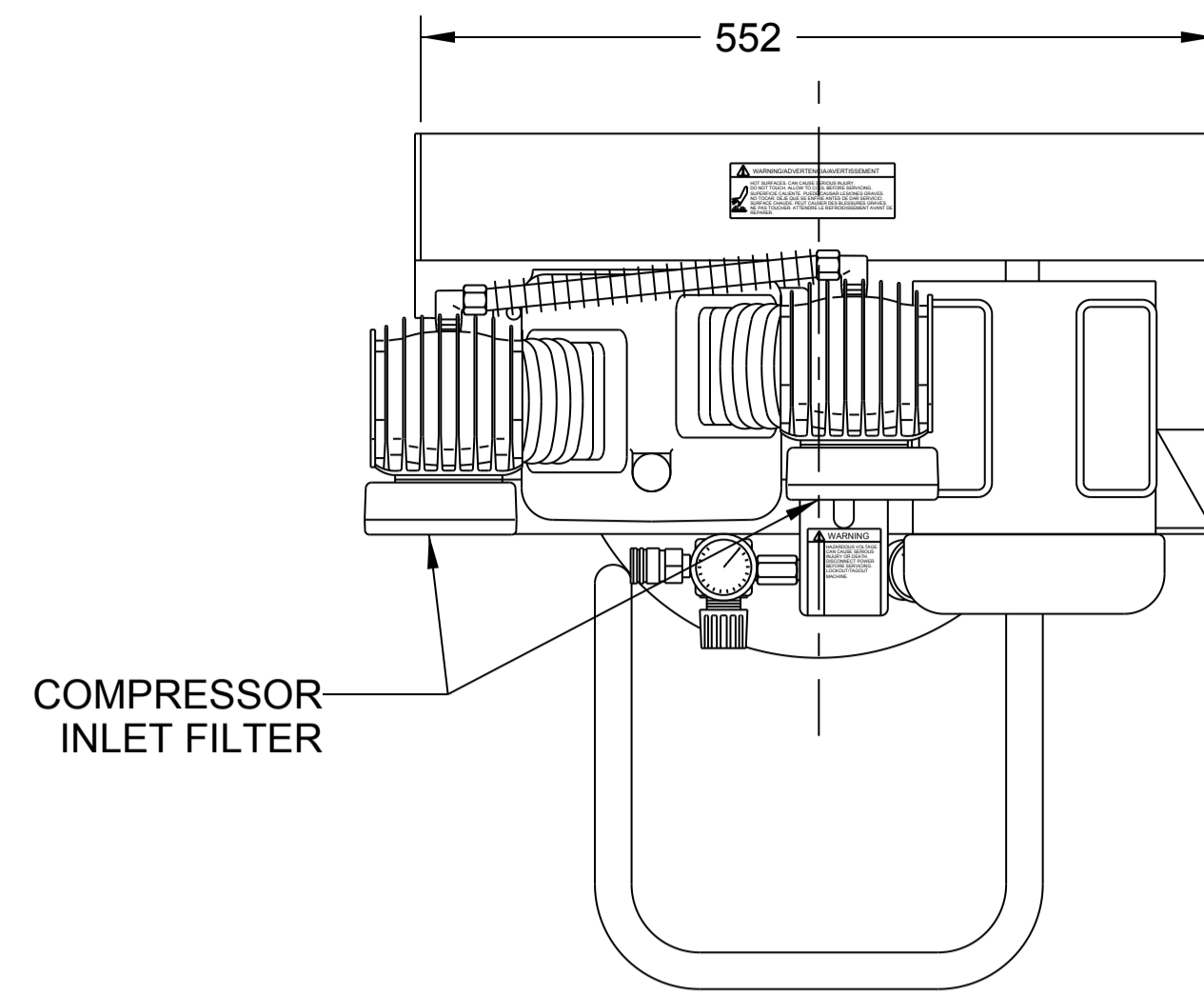


NOTES :

1. ALLOW AT LEAST 305mm [12 INCHES] OF CLEARANCE MINIMUM ON ALL SIDES FOR PROPER AIR CIRCULATION.
2. DIMENSIONS ARE IN MILLIMETERS [INCHES] UNLESS OTHERWISE SPECIFIED.
3. MAX. OPERATING PRESSURE: 135 psi [931 kPa]
4. RECEIVER SIZE: 20 GALLON [76 LITERS]
5. APPROXIMATE PACKAGE WEIGHT (WET): 200 LBS.

REVISIONS					
ZONE	REV	ECN	DESCRIPTION	DATE	APPD
	A	76700	ORIGINAL RELEASE	2007DEC04	R. Redmon N. Nguyen
	B	76915	UPDATED GRAPHICS PER APP. SPEC. DRAWING	2007DEC14	R. Redmon N. Nguyen



**STANDARD TOLERANCES**

ALL DIMENSIONS ARE IN MILLIMETERS [INCHES (IF SHOWN)]

UNSPECIFIED TOLERANCES:

WHOLE	: ± 1
ONE PLACE (X)	: ± 0.5
TWO PLACE (XX)	: ± 0.25
ANGLES (X)	: ± 1°

Ingersoll-Rand Industrial Technologies

WARNING: THE EXPORT OR REEXPORT OF THIS DRAWING OR A PRODUCT PRODUCED BY THIS DRAWING IS SUBJECT TO U.S. EXPORT ADMINISTRATION REGULATIONS AND OTHER APPLICABLE GOVERNMENT RESTRICTIONS OR REGULATIONS.

**PROPRIETARY NOTICE**

THIS DRAWING CONTAINS CONFIDENTIAL AND TRADE SECRET INFORMATION, IS THE PROPERTY OF INGERSOLL-RAND CO., AND IS GIVEN TO THE RECEIVER IN CONFIDENCE. THE RECEIVER BY RECEPTION AND RETENTION OF THE DRAWING ACCEPTS THE DRAWING IN CONFIDENCE AND AGREES THAT, EXCEPT AS AUTHORIZED IN WRITING BY INGERSOLL-RAND CO., IT WILL (1) NOT USE THE DRAWING OR ANY COPY THEREOF OR THE CONFIDENTIAL OR TRADE SECRET INFORMATION THEREIN; (2) NOT COPY THE DRAWING; (3) NOT DISCLOSE TO OTHERS EITHER THE DRAWING OR THE CONFIDENTIAL OR TRADE SECRET INFORMATION THEREIN; AND (4) UPON COMPLETION OF THE NEED TO RETAIN THE DRAWING, OR UPON DEMAND, RETURN THE DRAWING, ALL COPIES THEREOF, AND ALL MATERIAL COPIED THEREFROM.

**DO NOT SCALE DRAWING**  
DRAWING CONFORMS TO ASME Y14.5M - 1994

**CAD GENERATED DRAWING, NO MANUAL REVISIONS ALLOWED**

UNLESS OTHERWISE SPECIFIED:  
- REMOVE ALL BURRS AND SHARP CORNERS  
- WELD SYMBOLS TO BE IN ACCORDANCE WITH ANSI/AWS A2.4

COPYRIGHT © 2007  
INGERSOLL-RAND COMPANY  
ALL RIGHTS RESERVED

THIRD ANGLE PROJECTION

DRAWN	DATE
R. Redmond	2007DEC04
CHECKED	DATE
N. Nguyen	2007DEC04
APPROVED	DATE
B. Wise	2007DEC04

**IR Ingersoll Rand**

**GENERAL ARRANGEMENT GARAGEMATE**

SIZE	ESTIMATED WEIGHT (KG UNLESS OTHERWISE SPECIFIED)	DWG NO.	REV
A1	200 LBS	23200934	B
SCALE:	0.20	UNIT:	P1-5IU-A9
		SHEET	1 OF 1